

Condensate-valve

# drukotrap

level-adjusted  
with pneumatic control

**NEW**



- no air-loss
- no electricity
- robust, reliable  
with manual test-function

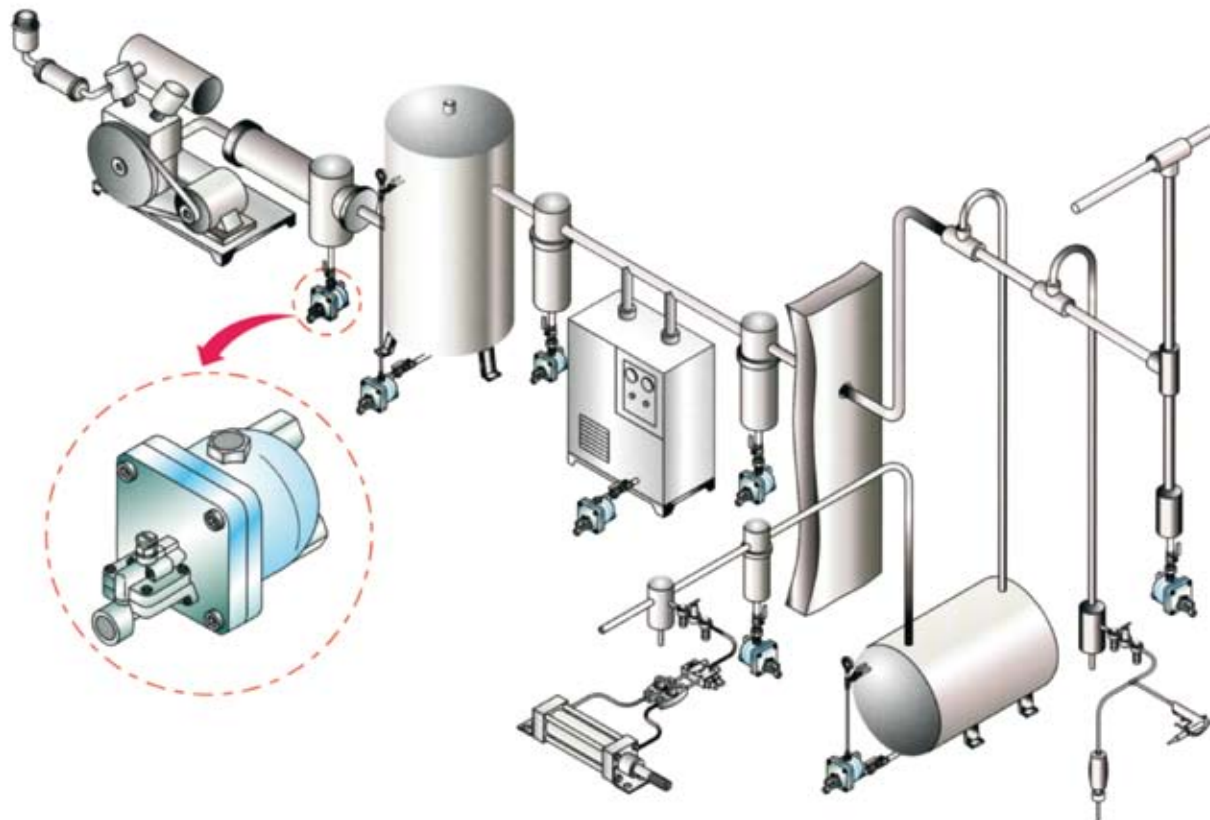
2 models

drukotrap 25N - 1/2" connection - up to 875 cfm

drukotrap 50N - 3/4" connection - up to 1750 cfm

also for oil-free air de available

# Installation



# Technical data

|              | size in mm |        |     |     | pressure bar | temperature °C | volume l/h | compressor capacity | weight kg |
|--------------|------------|--------|-----|-----|--------------|----------------|------------|---------------------|-----------|
|              | Inlet      | Outlet | A   | B   |              |                |            |                     |           |
| drukotrap 25 | 1/2"       | 3/8"   | 105 | 186 | 0,8 - 10     | 0~60°C         | 3 - 15     | 25 m³/min           | 1,2       |
| drukotrap 50 | 3/4"       | 1/2"   | 129 | 210 | 0,8 - 10     | 0~60°C         | 6 - 30     | 50 m³/min           | 2,3       |

# Drawing

